

feature radiators

effective from 18th january 2007



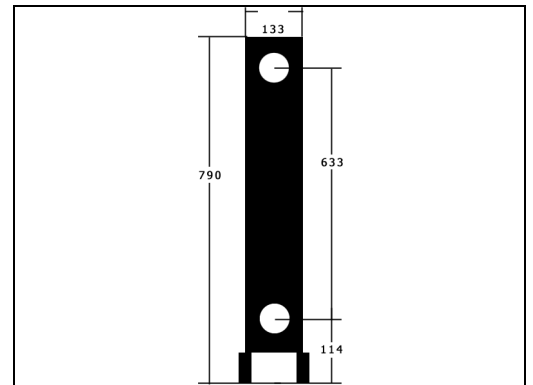
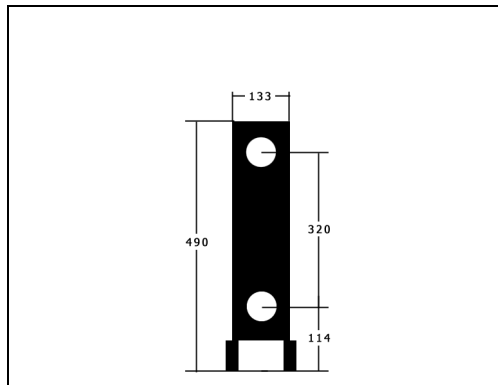
8 section tall burnished gold / short old penny

ROCOCO

cast from originals found in a parisian bordello

cast iron radiator hand-built using traditional methods

below are approximate measurements of assembled radiator sections (end bush to end bush) these are intended as a rough guide only



ROCOCO

490mm high
133mm deep

790mm high
133mm deep

sections	length mm
3	260
4	330
5	400
6	470
7	540
8	610
9	680
10	750
11	830
12	900
13	970
14	1040
15	1110

output		primer	top coat
watts	btus	£	£
402	1371	162	176
536	1828	216	235
670	2285	270	293
804	2742	324	352
938	3199	378	411
1072	3656	432	469
1206	4113	486	528
1340	4570	541	587
1474	5027	595	645
1608	5484	649	704
1742	5941	703	762
1876	6398	757	821
2010	6855	811	880

output		primer	top coat
watts	btus	£	£
633	2160	214	228
844	2880	285	304
1055	3600	357	380
1266	4320	428	455
1477	5040	499	531
1688	5760	570	607
1899	6480	642	683
2110	7200	713	759
2321	7920	784	835
2532	8640	856	911
2743	9360	927	987
2954	10,080	998	1063
3165	10,800	1070	1139

for burnished finish - add £12 per section to the top coat prices above for tall rococos, add £10 per section for short rococos

- Further notes overleaf

www.featureradiators.com

bingley railway station, wellington street, bingley, west yorkshire bd16 2nb
tel. 01274 567789 fax. 01274 561183 email: contactus@featureradiators.co.uk

feature radiators

Finishes

- Available in *mat metallic finishes* (antique gold, old penny, natural cast iron, anthracite, pewter) and *burnished finishes* (burnished iron and burnished antique gold). Colour card available on request. Burnished finish is a paint finish which highlights the decorative detail in the casting. Shade variations may occur from one paint batch to the next. Where it is imperative that radiators exactly colour match, then such radiators should be ordered together. If you are looking to match the colour of radiators ordered previously, please disclose this at the time of order, so we can do what we can to minimize the variation in shade.
- Warning: please be aware that pewter and other light coloured paint finishes highlight the imperfections characteristic of cast iron more than the darker colours.
- Primer finish available for on site painting or we can deliver direct to your own painter in the UK. We strongly advise against powder coating this product as this process can weaken the seals between sections. Powder coating will invalidate the manufacturer's guarantee.
- These radiators have a textured finish which is characteristic of cast iron. If you are looking for a column style radiator with a smooth finish please see our Classic and Bordo ranges, which are made of steel.

- Approximate pipe centres can be provided if you wish to install your pipework in advance of receiving your radiator. these measurements are intended as a rough guide only
- Radiators are supplied with the necessary fixings i.e. brackets, spacers, air vents etc (note: screws are not supplied)
- To complete the look see our valves page for traditional style valves (valves are not included as standard)
- Nationwide delivery available
- To order or for further information, please call or email
- Heat outputs are shown at operating temperatures of 90/70/20 ($\Delta t60^{\circ}\text{c}$)
- All sales are subject to our standard terms and conditions a copy of which is available on request

These prices are exclusive of VAT

www.featureradiators.com

bingley railway station, wellington street, bingley, west yorkshire bd16 2nb
tel. 01274 567789 fax. 01274 561183 email: contactus@featureradiators.co.uk